

Element plough



<u>Technical data:</u>	TB 4 SPN-30 K	TB 4 SPN-32 K	TB 4 SPN-34 K	TB 4 SPN-36 K
Plough width:	3.000 mm	3.200 mm	3.400 mm	3.600 mm
Clearing width at 30°:	2.600 mm	2.770 mm	2.945 mm	3.120 mm
Plough height center blade:	1.116 mm	1.116 mm	1.116 mm	1.116 mm
Plough height external blade:	1.223 mm	1.223 mm	1.223 mm	1.223 mm
Number of blades:	4	4	4	4
Weight with DIN board:	1.000 kg	1.050 kg	1.150 kg	1.170 kg

Basic equipment:

Sliding vats
 Hydraulic pivot provisions
 left-right, lifting-lowering
 Curb protector shoe
 Steel digging border
 Communal lacquering RAL 2011
 UNI-Quick Exchange Mount
 Warning flags
 LED-Illumination

Optional equipment:

Wind leading shield (firm)
 Wind leading shield (fold away)
 Rubber leading shield
 Wheels (2 pieces)
 Solid rubber wheels (2 pieces)
 Airplane wheels (2 pieces)
 Küper strip
 Vulkulan digging border
 (duroplastic plastics)
 Execution with inserted Vulkulan-Rail
 E-hydraulic with operator panel



OVERÅSEN
 SNOWREMOVAL SYSTEMS

Element plough with wings



The KK-Series

The special snow plough for airport and industrial operation. Due to the special retractable segments, a specific and rational snow clearing operation will be guaranteed, on the apron as well as on bigger parking areas.

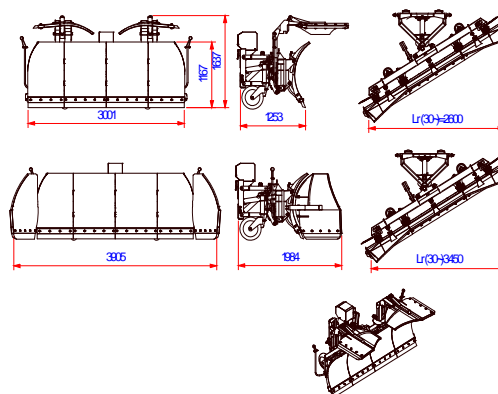
Technical data:	TB SPN- 30 KK	TB SPN- 32 KK	TB SPN- 34 KK	TB SPN-36 KK	TB SPN-48 KK
Plough width:	3.000 mm	3.200 mm	3.400 mm	3.600 mm	4.800 mm
Plough height:	1.167 mm	1.167 mm	1.167 mm	1.167 mm	1.167 mm

Basic equipment:

- Sliding vats
- Hydraulic pivot provisions left-right, lifting-lowering
- Curb protector shoe
- Steel digging border
- Communal lacquering RAL 2011
- UNI-Quick Exchange Mount
- Warning flags
- LED-Illumination

Optional equipment:

- Wheels
- Execution with inserted Vulkulan-Rail



OVERÅSEN
SNOWREMOVAL SYSTEMS